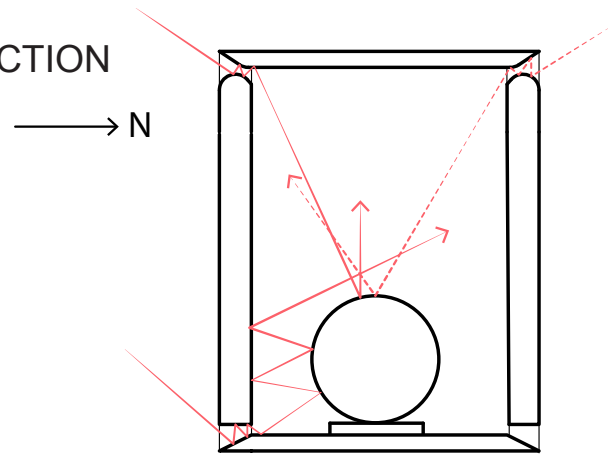
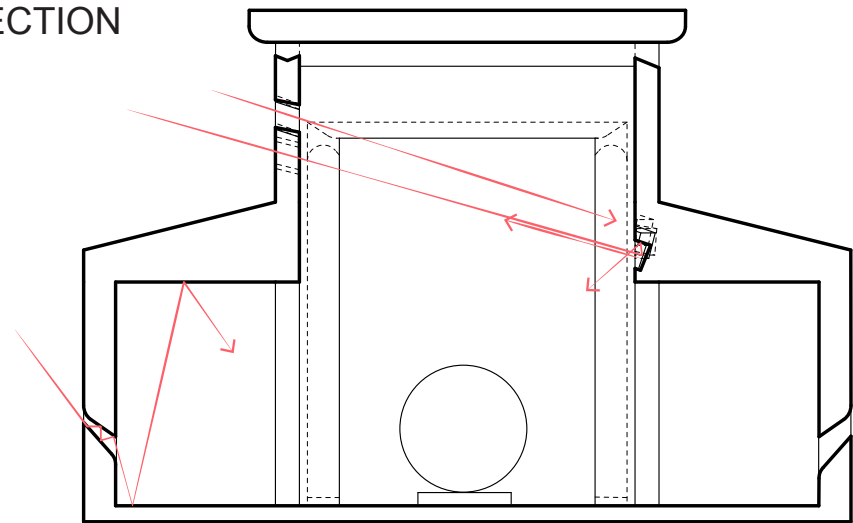


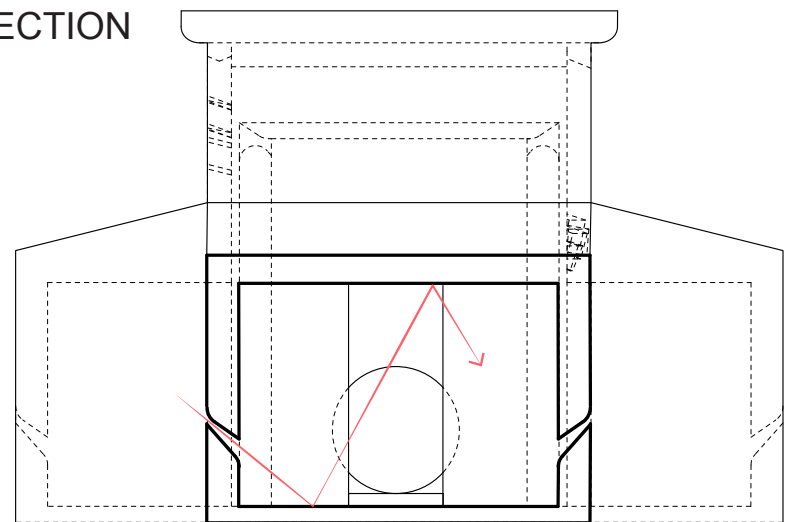
CHANCEL CROSS SECTION



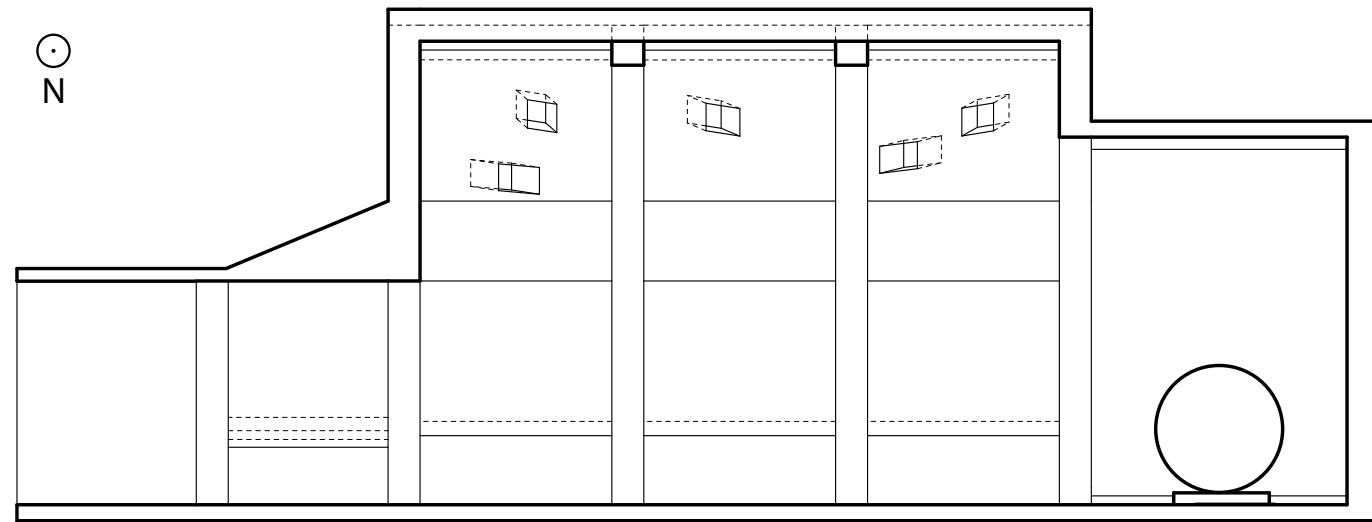
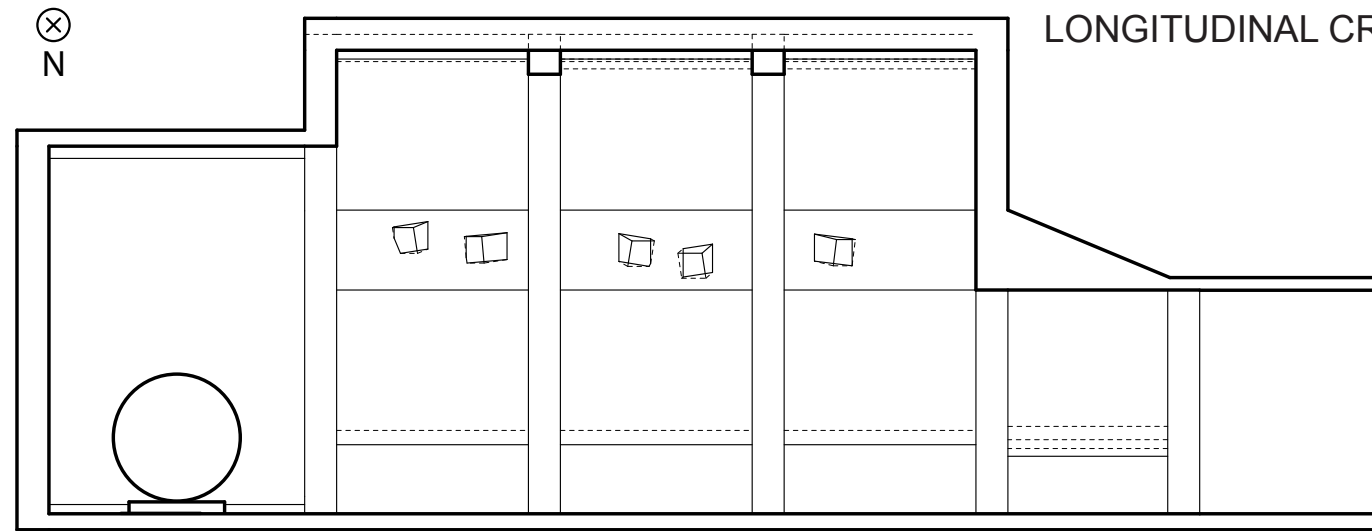
NAVE CROSS SECTION



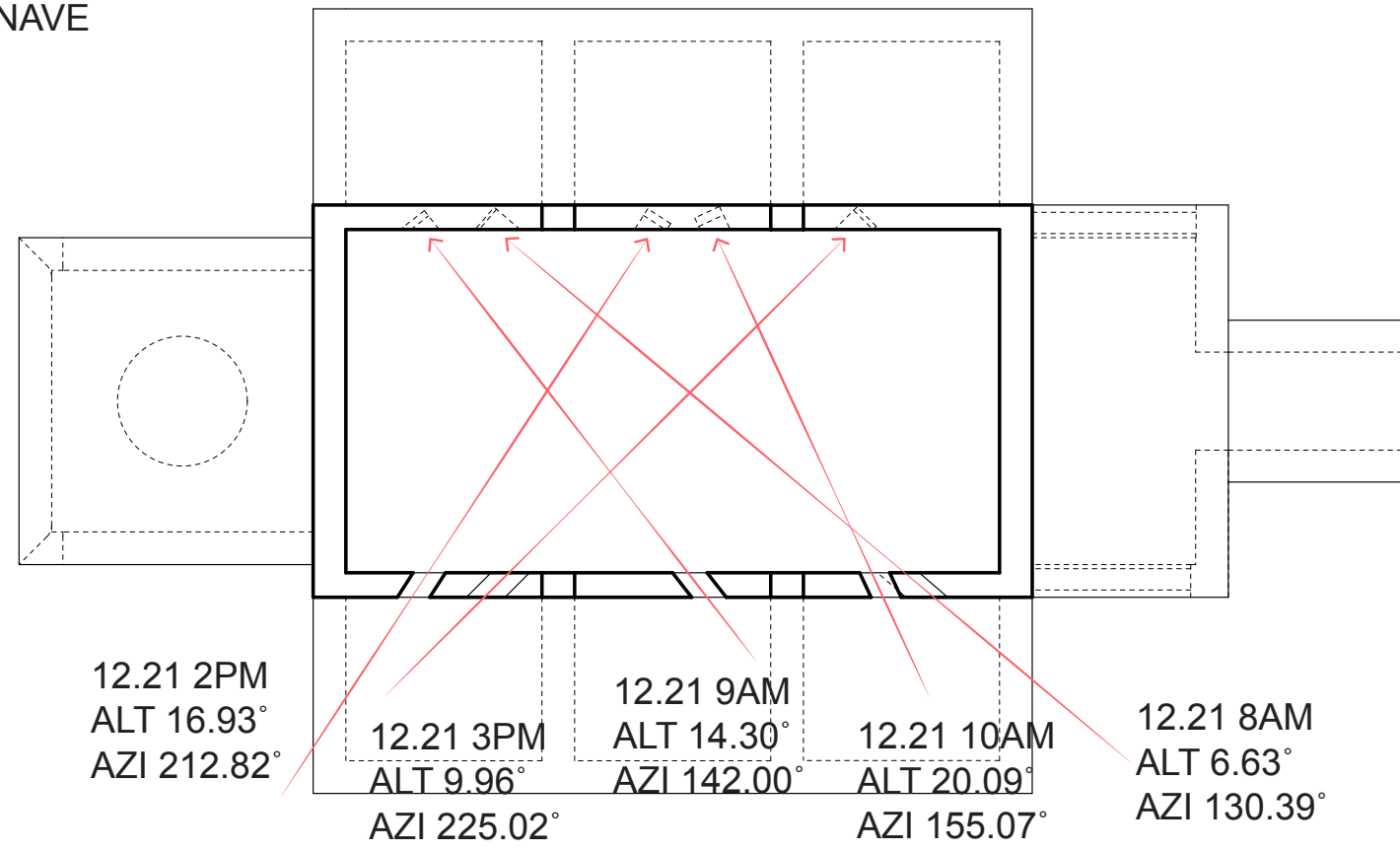
NARTHEX CROSS SECTION



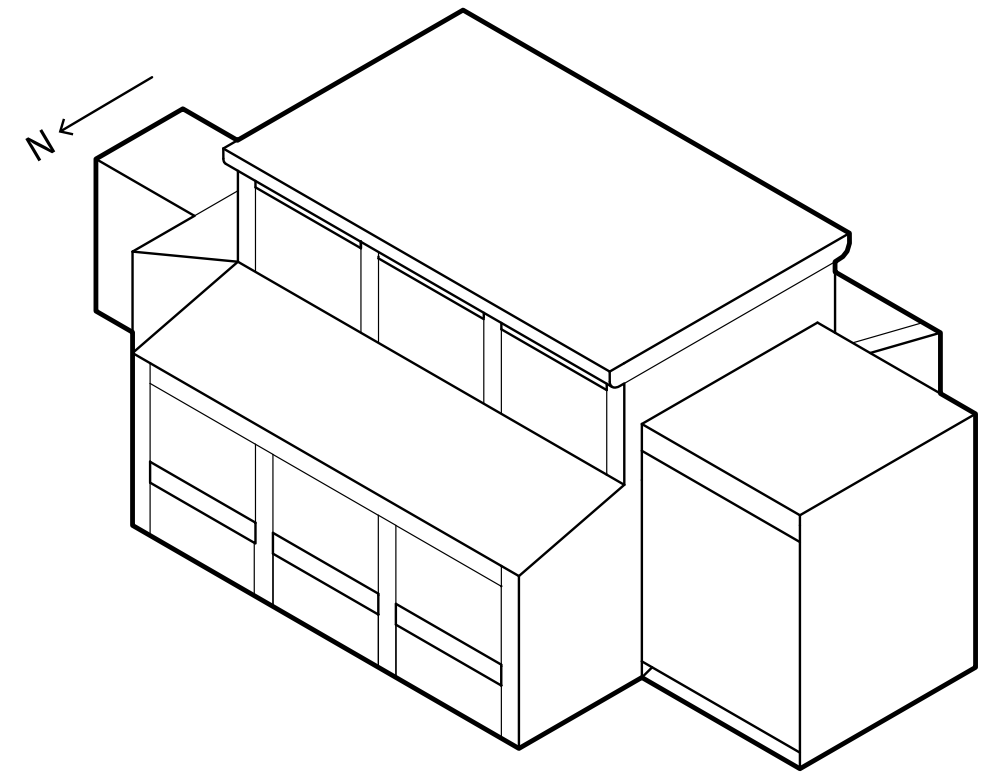
LONGITUDINAL CROSS SECTIONS



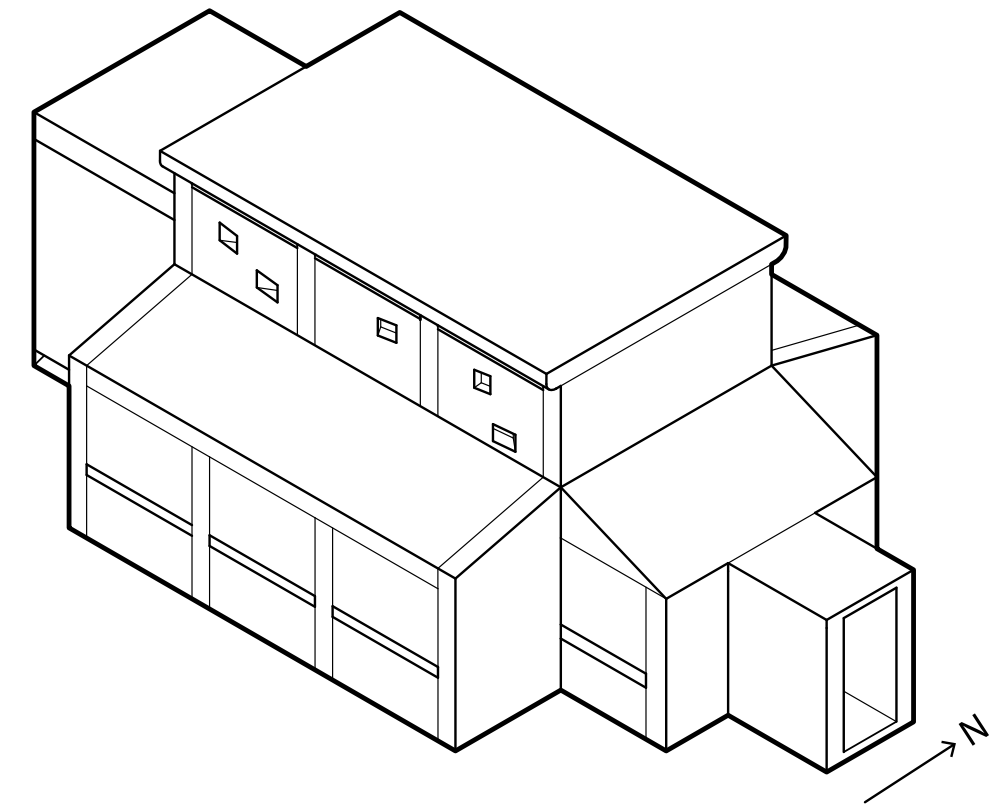
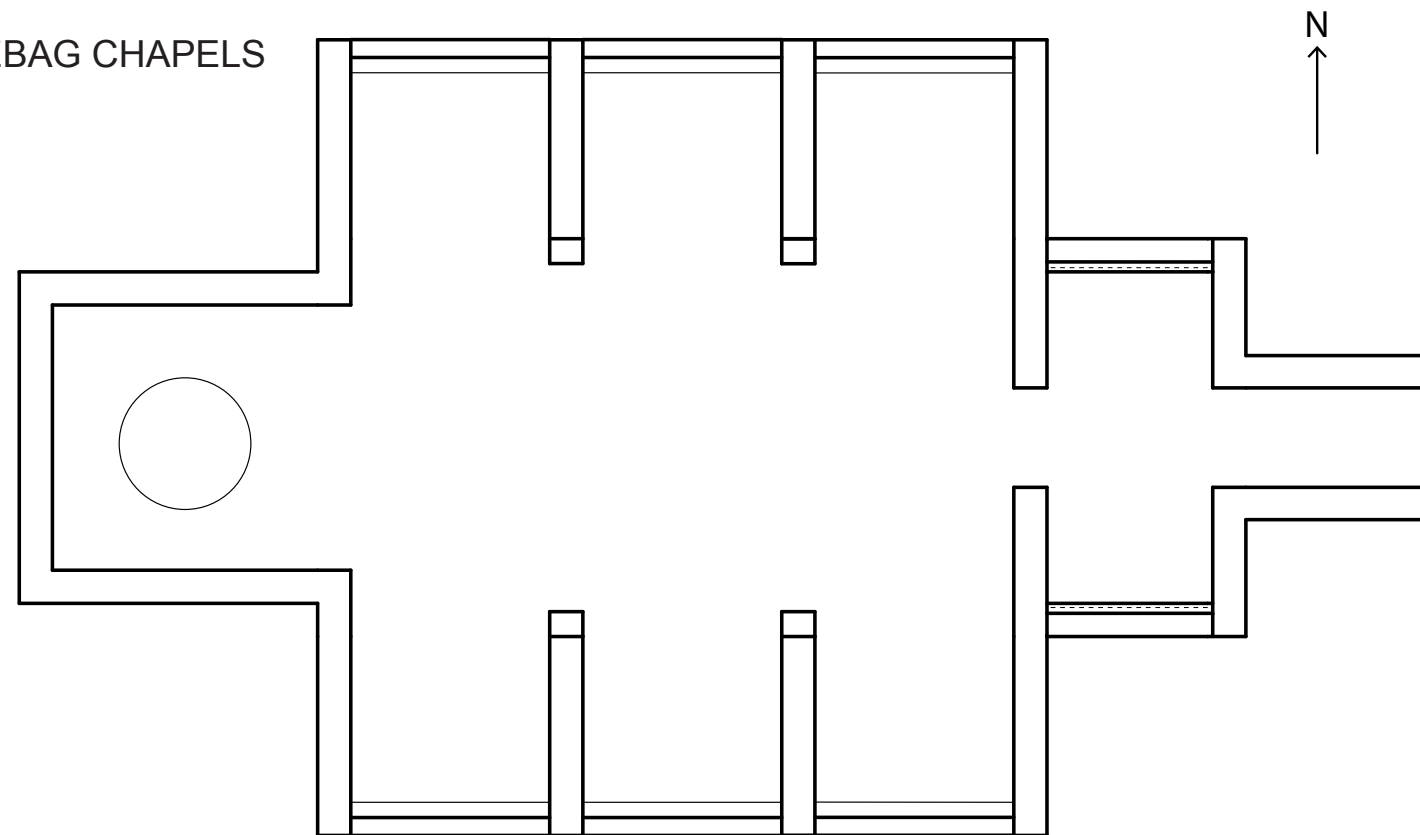
UPPER NAVE

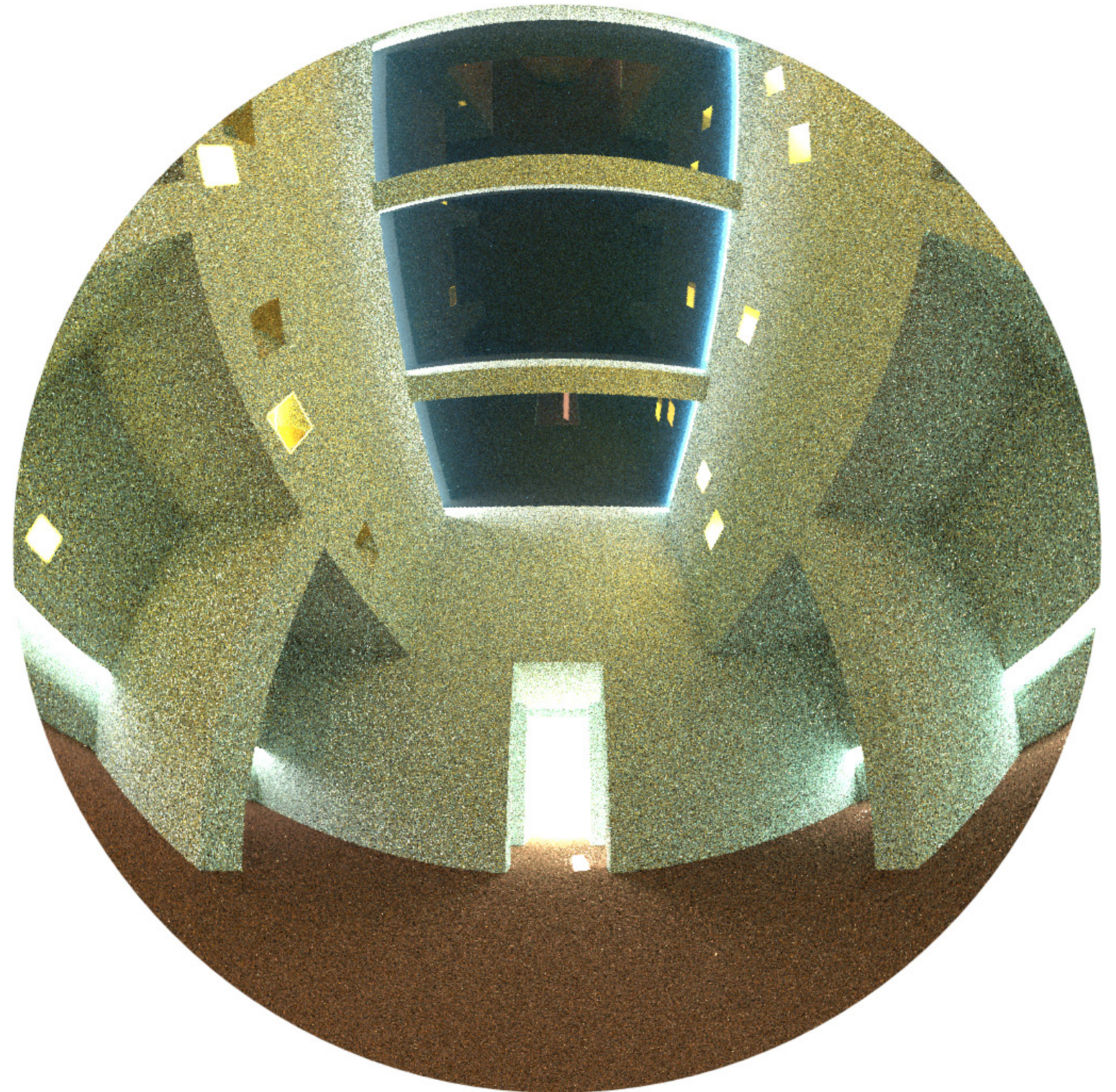
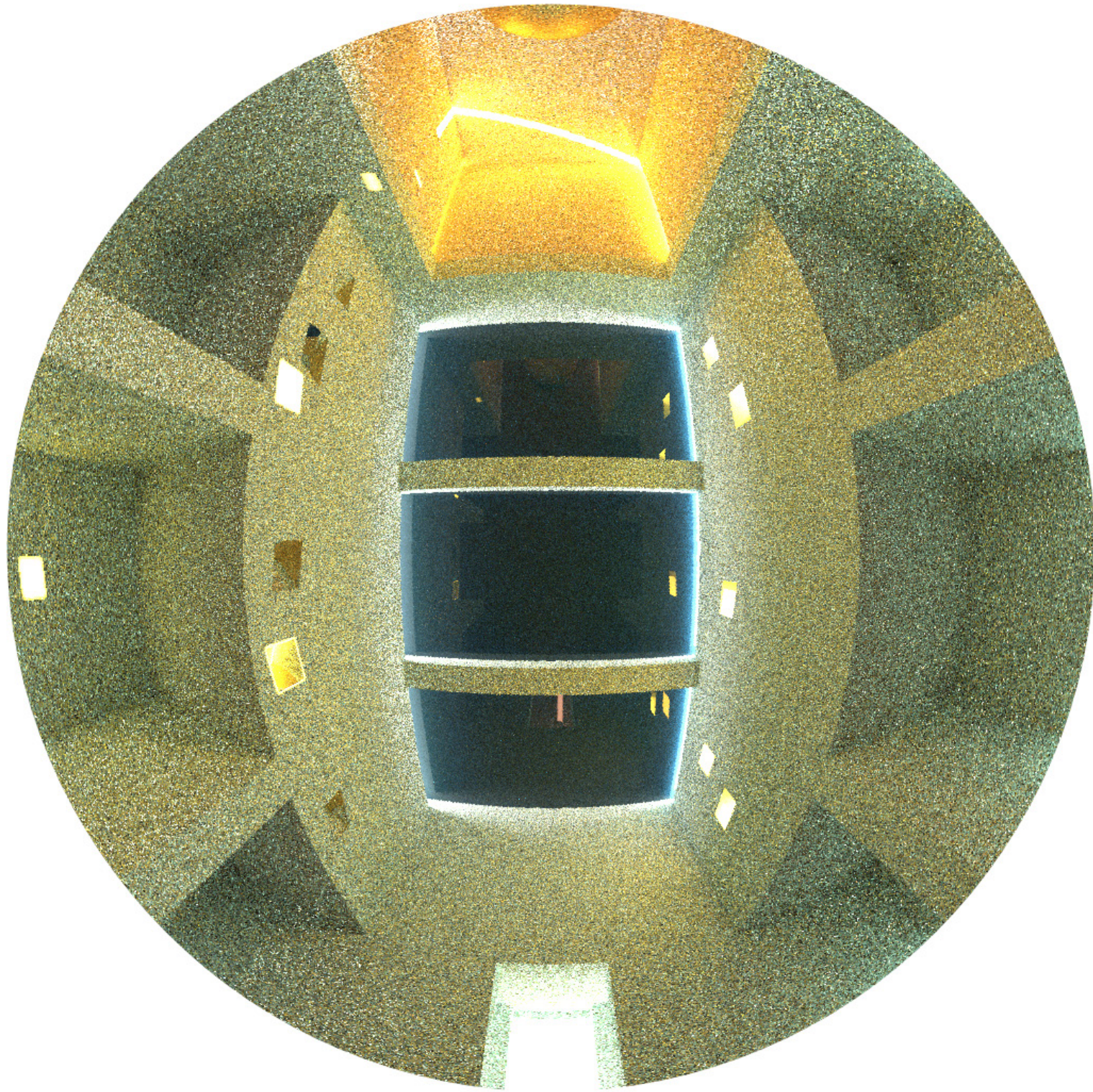


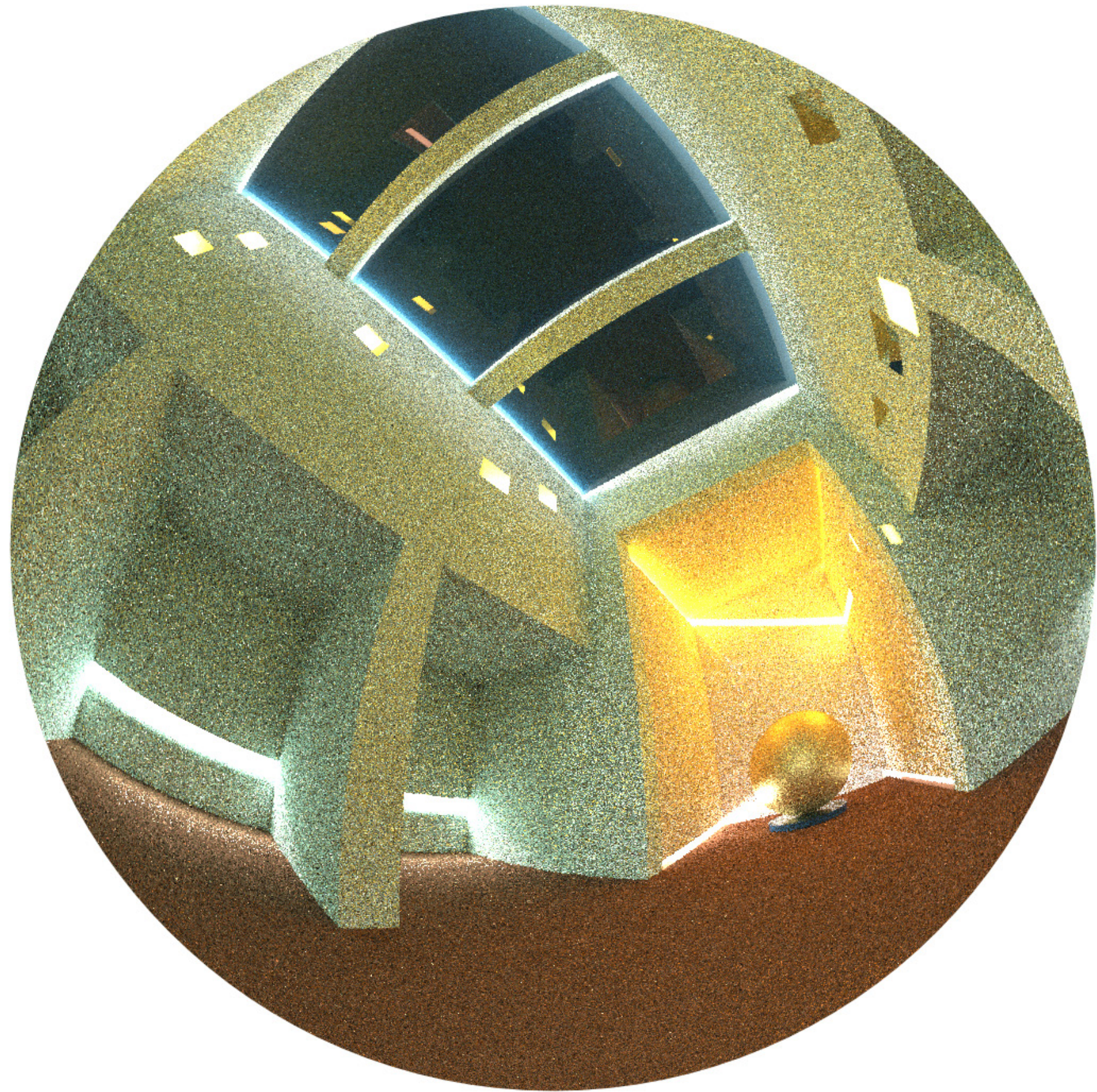
AXONOMETRICS



SADDLEBAG CHAPELS








```
# trans
void trans translucentgoldglass
0
0
7 0.45 0.25 0.02 0.0 0.0 0.8 0.8
```

```
# RAL colour: Grey white
# Reflectance: rho=0.711
void plastic grey white
0
0
5 0.582 0.719 0.66 0.1 0.08
```

```
# Reflectance: rho=0.723
void plastic creamwhite
0
0
5 0.8 0.707 0.562 0 0.1
```

```
# Reflectance: rho=0.076
void plastic bluegranite ceiling
0
0
5 0.01 0.044 0.085 0.04 0
```

```
# Building material: Brass
# Reflectance: rho=0.584
void metal altar
0
0
5 0.726 0.563 0.223 0.655 0.25
```

```
# mirror
void mirror mirror
0
0
3 0.9 0.9 0.9
```

```
# glass
void glass glass
0
0
3 .763 .763 .763
```

```
# Reflectance: rho=0.128
void plastic terracotta
0
0
5 0.215 0.1 0.061 0 0.175
```

